

## Dedicated accessories

An automatic door system requires it to be integrated with accessories, which are indispensable for its command and safety functions.

For this purpose Came offers specific devices for any applicative context and need, even special needs.

Command radar, function selector, emergency batteries, sensitive plates, and coded selectors are just some examples of what is available to install complete, functional and above all original Came systems.



Made in Italy



For its quality processes management Came Cancelli Automatici is ISO 9001:2000 certified, and for its environmental management it is ISO 14001 certified. Came designs and manufactures entirely in Italy.

## The command accessories

### > Function selector switch

This is a fundamental command element for doors and enables the duty mode to be selected, to control movement of the door leaves. It is applied near the threshold or elsewhere depending on the specific needs.



### > Volumetric touch sensor

This is a manual command that enables the opening of the door without coming into physical contact with the actual command, while at the same time avoiding any unwanted openings. Especially suited for hospitals, general surgeries and anywhere where hygiene is an issue.



### > Sensitive floor plates

These elements have been designed to provide a local ground-based command, which is covered by a door-mat. Especially suited for condition of reduced space.



### > Adjustable infrared radar

These are applicable in the majority of automation systems applied to control people passages in both residential and commercial settings.



### > Volumetric microwave radar

These are specific for detecting both people and objects (e.g. carts), these are preferred in supermarkets and shopping malls. They are available in four models which differ in range, directionality and height of application.



### > Infrared safety radar

This device performs specific detection functions for protection in the areas adjacent to the door leaf movement. It is particularly suited when a very high level of security is required as, for example in hospitals and schools.



### > Numeric code selectors

### > Transponder selectors

Specific accessories especially designed for command safety. In fact, only those users, authorised through a personal code, card or transponder keychain, will be able to operate the automation system.



### > Please Note

Fly automation systems can be connected to a 12V - 15W max. electric lock.



### The safety devices



### > Micro-photocells

These are primary safety elements for user safety, they are miniaturised and can be even placed in the thin aluminium door risers of modern door profiles.



### > Emergency battery card

This ensures functioning even during a temporary blackout. It may be configured in different operating modes.

## The range

### Operator for swing doors

**PB1100** Complete automation system for 1-leaf swing doors.  
**PB2100** Complete automation system for 2-leaf swing doors.  
**PF2100** Door profile and profile cover for PB2100.

### Accessories

**PB1001** Straight transmission arm for "PULL" opening.  
**PB1002** Articulated transmission arm for "PUSH" opening.

### Accessories for completing the automation system

**MA7041** Function selector switch.  
**MA7034** Emergency battery card complete with two 12V - 0.6 Ah batteries.

### Technical features

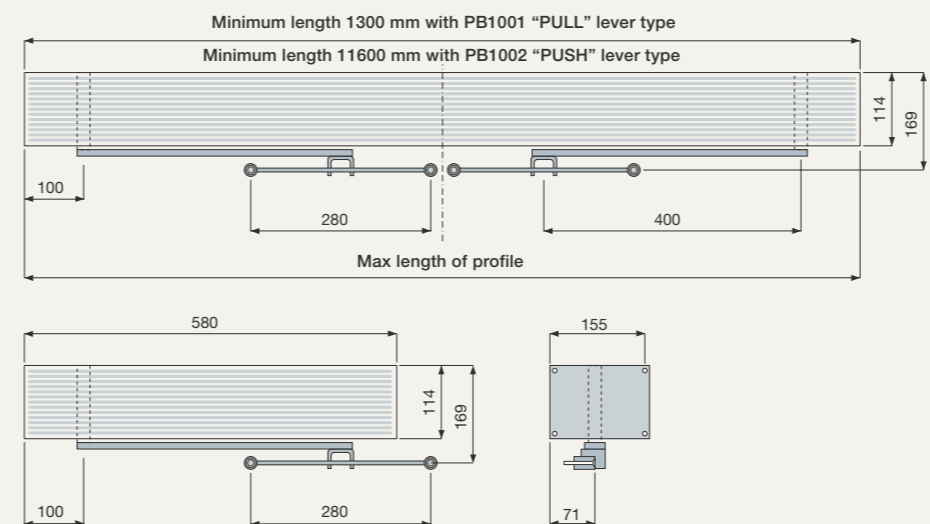
Type	PB1100	PB2100
Control panel power supply (V)	230 A.C. 50-60 Hz	230 A.C. 50-60 Hz
Motor power supply (V)	24 D.C.	24 D.C.
Current draw (A)	0,6	1,2
Max power (W)	138	276
Max power for accessories (W)	30	60
Manoeuvre speed 90° (cm/s)	2 ÷ 5	2 ÷ 5
Duty cycle (%)	intensive use	intensive use
Max torque (Nm)	40	40
Operating temperature (°C)	-20 ÷ +55	-20 ÷ +55

● 24V D.C.

### Limits to use

Type	Max door leaf weight (Kg)		
Fly PB1100 1 leaf	250	200	150
Fly PB2100 2 leaves	250 + 250	200 + 200	150 + 150
Max door leaf width (mm)	800	1000	1200

### Dimensions



Swing door operators with door leaves of up to 250 Kg



# Fly

The operator for swing doors that meet any requirements

A revolutionary product, specifically designed to operate any type of door, safely and reliably, to make your operations as simple as possible.

Came cancelli automatici s.p.a.

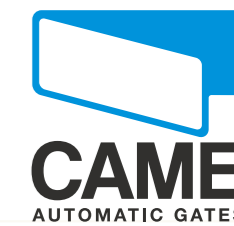
via Martiri della Libertà, 15  
31030 Dossan di Casier  
Treviso - Italy

www.Came.it - info@Came.it



© Came DEP5734-06/2007

The data and information appearing on this catalogue are subject to change at any time without warning from Came cancelli automatici s.p.a.



# Fly

## Automatic swing doors

Modern swing doors are ever more suitable for automation thanks to Fly, which represents an extremely versatile, easy to install solution. In fact, any type of door, whether it be for normal or intensive duty conditions, may be easily operated with Fly both with one or two door leaves, depending on the need.

## Technology and usefulness

An automatic door provides an added value to any building, whether it be office, residential or commercial. Handsome and functional at the same time, door automation systems make life easier even as early as the design phase, where it is possible, to already integrate the various available solutions so as to obtain the most performance out of the system. Came automation systems, along with evolved design, make it so that in modern day construction, doors are no longer a barrier, but rather a service.



## Sizing

Sizing a swing door with Fly is a simple operation. All you need are the weight and width of the door leaf to be operated and to check that these be compatible with the limits to use. One further measure will be to check the mechanical efficiency of the door, especially if the door is a pre-existing one. Finally, it is important to check that the space needed to fix the operator is available above the door, besides the opening direction of the door – is it PULL or PUSH. This so as to choose which is the appropriate motion lever to employ.



A simple, versatile product, suitable for all applicative contexts



**Public areas** such as railroad stations, airports, hospitals and public offices.



**Commercial areas** such as shops, large distribution warehouses and pharmacies.



**Private and service areas** such as in restaurants, sports centres, businesses and residential areas.

**Customized and customisable profiles.**  
The beam and cover are in natural anodized 6060 aluminium alloy, but upon request, we can provide several types of varnish and anodized finishes.

**Obstacle detection.**  
The control software enables to identify any obstacles on the motion line of the door leaves, and thus activate the slow-moving safety procedure, which re-sets itself when the obstacle has been removed.

**Intelligent "core".**  
The microprocessor-managed command and control logic enable to automation system to self-adjust the door operating parameters, providing maximum safety of the operation.

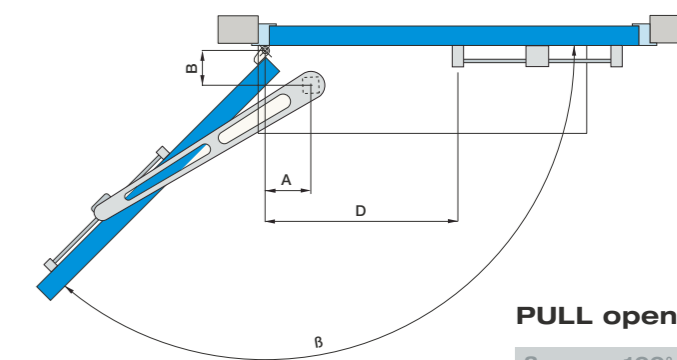
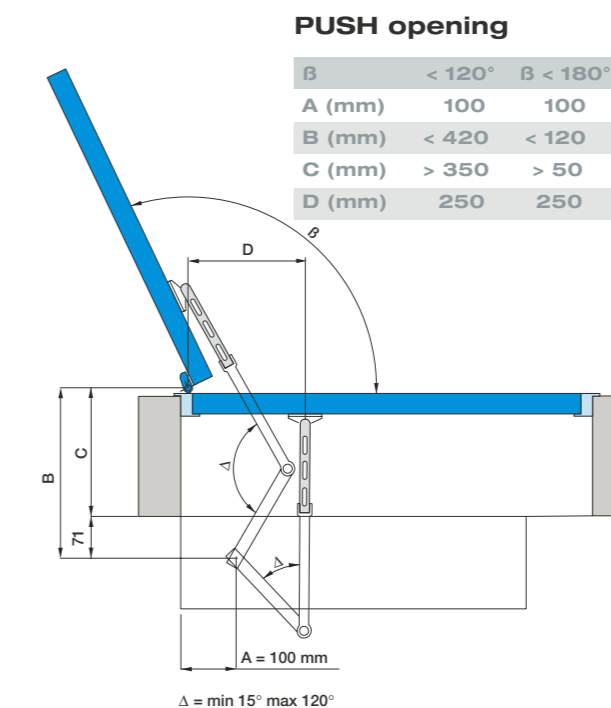


## For any type of door

**Fly automation systems** are specifically engineered to operate swing doors of any type and build, weighing up to a maximum of **250 Kg**. Thus, there is no need to install any particular doors prior to installing Fly. All that is needed is to fix the operator on the top part of the passage way, connecting the chosen motion level to the door leaf. In the two leaf versions, Fly is made "to custom specifications" upon the client's request, in order to get the most aesthetic yield for the installation. Fly takes little time in the installation phase and minimal periodic maintenance, and no extra care. Thanks to its easy-to-use mounting base, the installation is made simple, by providing the exact position of the power cables and those needed to power the command safety accessories. Thus, once the mounting base is fixed, all that is required is to set up the automation system.

**Access control.**  
The Fly swing door operator provide the natural complement for the access control system. Only by automating all of the doors within the controlled area, can client access be constantly monitored. This is true whether they be subscribed to just one service or simply operate in the controlled area. This is therefore a complete system, integrated in every detail, to provide maximum reliability and performance, in the best of Came tradition.

**Movement levers.**  
These are specific for any application whether in the PULL or PUSH mode, depending on which side the operator is mounted in terms of the door.



**PULL opening**

B	100°	120°
A (mm)	100	100
B (mm)	65	65
D (mm)	380	335

## Standard installation



**With no barriers.**  
Fly door automation systems, along with the Corsa and Rodeo series of sliding doors, provide valid assistance to design when space is an issue, and do away with architectural barriers and limitations.

