



# A100 COMPACT

Automations for sliding doors

## Use

Model	Leaf	Free passage width (mm)	Leaf max. weight (kg)
A100 COMPACT 1	single	700+3000	110
A100 COMPACT 2	double	800+3000	70+70



## A100 COMPACT

Automations for sliding doors

### Automations for sliding doors

single leaf, two leaves with continuous duty

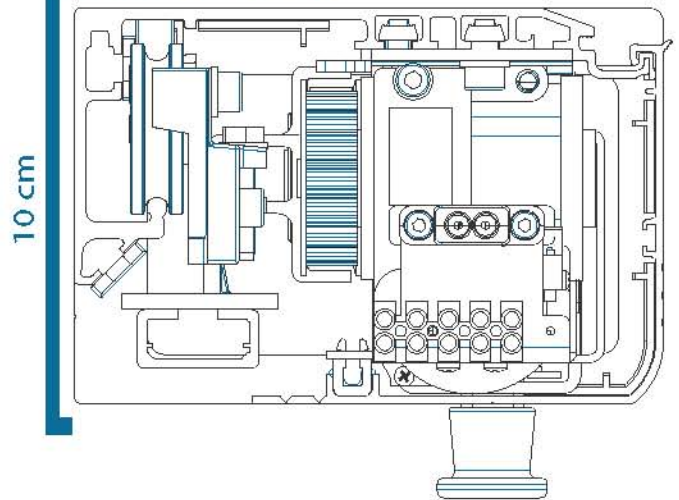
#### ■ Thin and elegant

Thanks to their compact dimensions, FAAC A100 COMPACT automations can be adapted to every type of architectural environment, even in limited space conditions. All the most innovative technical features in just a few centimetres. For the utmost versatility of use, the A100 COMPACT Series can be adapted to sliding doors with single leaves and a maximum weight of 110 kg or with double leaves and a maximum weight of 70 kg each leaf. An A100 COMPACT automation also guarantees considerable energy savings as regards air-conditioning and the total removal of architectural barriers.

#### ■ Reliable and always sliding

Designed to operate at best on each occasion and in every environment, A100 COMPACT automations are automatically reliable, without limits on the frequency of use. In the event of a power cut, buffer batteries (optional) with charge control guarantee 100% operation for thirty minutes.

thinner than ever



#### ■ Excellent logics in real time

A microprocessor verifies in real time all door activities and guarantees an intelligent control. The operation logics can be selected by means of a functions keypad.

#### ■ Absolute safety

The A100 COMPACT Series automatically programs opening and closing force and speed according to the friction and the door weight in conformity with the relevant international safety standards. In case of an obstacle the door reopens immediately. On the next closing it verifies at slow speed if the obstacle is still present.

## Accessories

- Round photocell
- Infra-red passive sensor
- Microwave radar
- Keystitches with emergency release devices
- Profiles for glass leaf fitting
- Electro-mechanical motor lock with manual release
- Motor lock monitoring
- Emergency batteries. They guarantee the automated system to operate for 30 minutes on continuous use
- Break-out anti-panic kit
- Compatible with the new series of FAAC TK20 and TK50 profiles

## Technical specifications A100 Compact

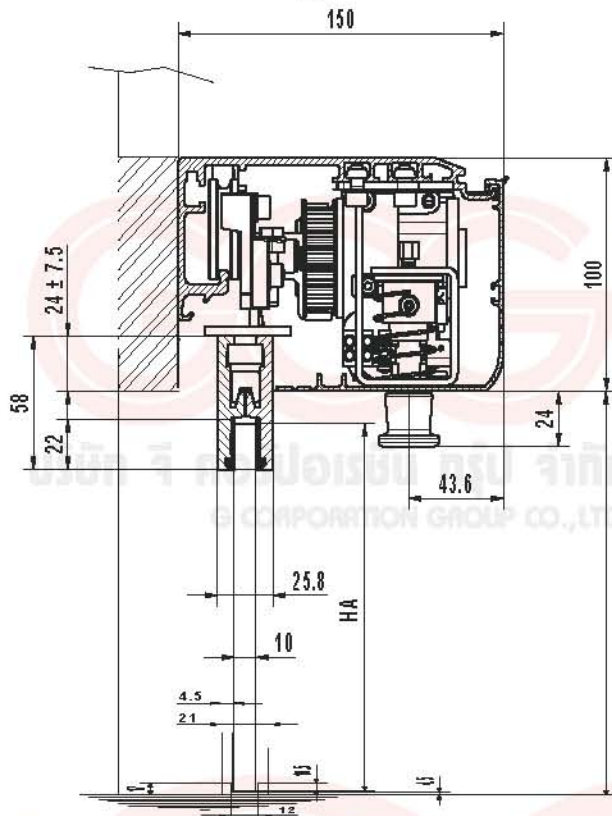
Electric power supply	115/230 V ac - 50 (60) Hz
Power consumption	100 W
Frequency of use	100%
Drive unit	24 V dc motor with encoder
Head profile length	VP x 2 + 100 mm
Load free opening adjustment	5 ÷ 70 cm/s
Load free closing adjustment	5 ÷ 70 cm/s
Partial opening adjustment	10% ÷ 90% of total opening
Pause time adjustment	0 ÷ 30 s
Night pause time adjustment	0 ÷ 240 s
Anti-crushing device	standard
Photocells fail-safe	standard (can be excluded)
Protection class	IP 23 (for indoor use only)
Environmental temperature	-20°C ÷ +55°C



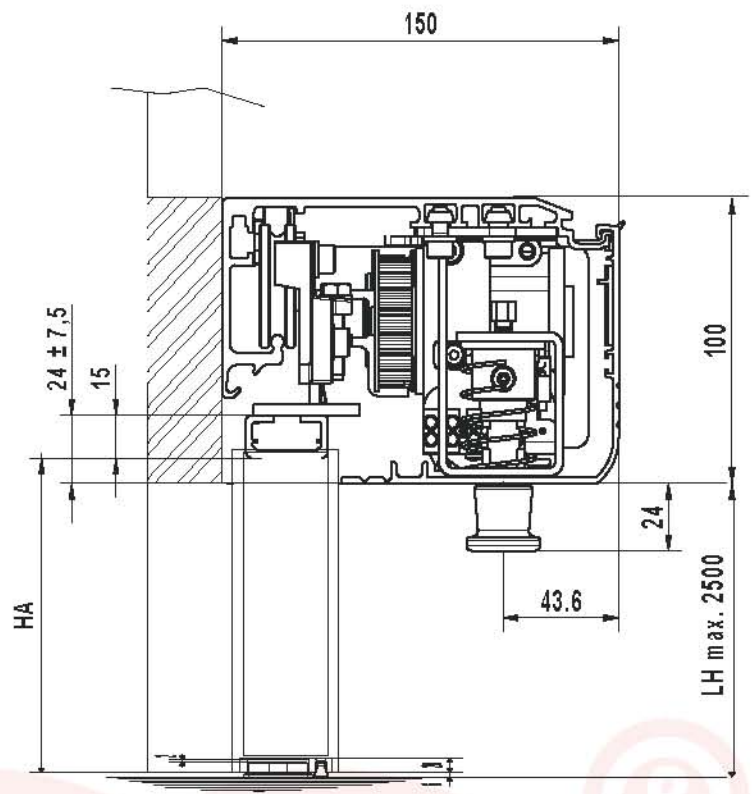
## A100 COMPACT

Automations for sliding doors

A100 COMPACT glass leaf



A100 COMPACT



### Automatic sliding door operator

MODEL	A100 COMPACT	A100 COMPACT 2
No. of leaves	1	2
Max leaf weight	110 Kg	70 + 70 Kg
Transit space (VP)	700 + 3000 mm	800 + 3000 mm
Max thickness of framed leaf	60 mm	
Use frequency	100 %	
Protection class	IP 23 (for indoor use)	
Operating ambient temperature	-20°C + +55°C	
Power supply	115V/230 V~ 50/60 Hz	
Max absorbed power	100 W	
Beam length	Vp x 2 + 100 mm	
Drive unit	24 Vdc with encoder	
Opening speed adjustment (load free)	5 + 70 cm/sec.	10 + 140 cm/sec.
Closing speed adjustment (load free)	5 + 70 cm/sec.	10 + 140 cm/sec.
Partial opening adjustment	10% ÷ 90% of total opening	
Pause time adjustment	0 + 30 sec.	
Night pause time adjustment	0 + 240 sec.	
Static force adjustment	automatic	
Anti-crushing device active	at opening/closing	
Failsafe on photocells	Yes (can be activated by programming)	





## A100 COMPACT

Automations for sliding doors

Automatic sliding door operator



### Programming display

#### Main functions

Entering of access password  
Closing speed adjustment  
Pause times adjustment  
Diagnostic display

Opening speed adjustment  
Anti break-in function management  
Anti-crushing adjustment  
Weekly calendar management

Management of interlock with or without memory  
Selection of battery operation logics  
Configuration of 1 output on the control unit  
Configuration of 2 emergency inputs on the control unit  
Display of number of cycles carried out  
Management of 5 daily time slots



### SD KEEPER functions keyboard

#### Main functions

Manual  
Automatic  
One way  
Reset

Open  
Partial opening  
Night  
One way, partial

Troubleshooting through a combination of flashing LEDs  
Operation can be disabled by a jumper or a combination of keys  
Preset for programming display



### SDK light

#### Available programs

Manual  
Automatic  
One way  
Reset

Open  
Partial opening  
Night

Troubleshooting through a combination of flashing LEDs  
Operation can be disabled by a combination of keys  
Not preset for programming display

Small section profile TK20

